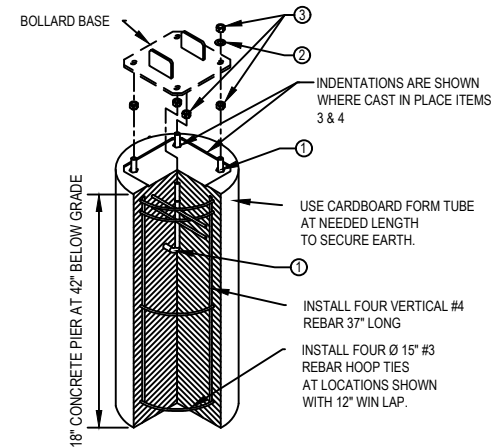


- BOLLARD LEGEND:**
- ① BOLLARD POST WELDMENT
 - ② BASE WELDMENT
 - ③ PIN
 - ④ HEX HEAD BOLT
 - ⑤ HEX NUT
 - ⑥ WASHER

- ⑦ BOLLARD HEIGHT TO BE 30"
- ⑧ 2" WIDE REFLECTOR - RED AND WHITE WRAPPED AROUND ALL SIDES OF BOLLARD
- ⑨ TOP OF 2" REFLECTOR TO BEGIN 3" FROM TOP OF BOLLARD



- ANCHOR SYSTEM LEGEND:**
- ① 3/4" X 12" TYPE L ANCHOR BOLT H.D.G
 - ② 3/4" TYPE A FLAT NARROW WASHER GALVANIZED STEEL
 - ③ 3/4" HEX NUT GALVANIZED STEEL

NOT TO SCALE